

# Reference product : MX - STANDARD

Two adapted products depending the pools' sizes :

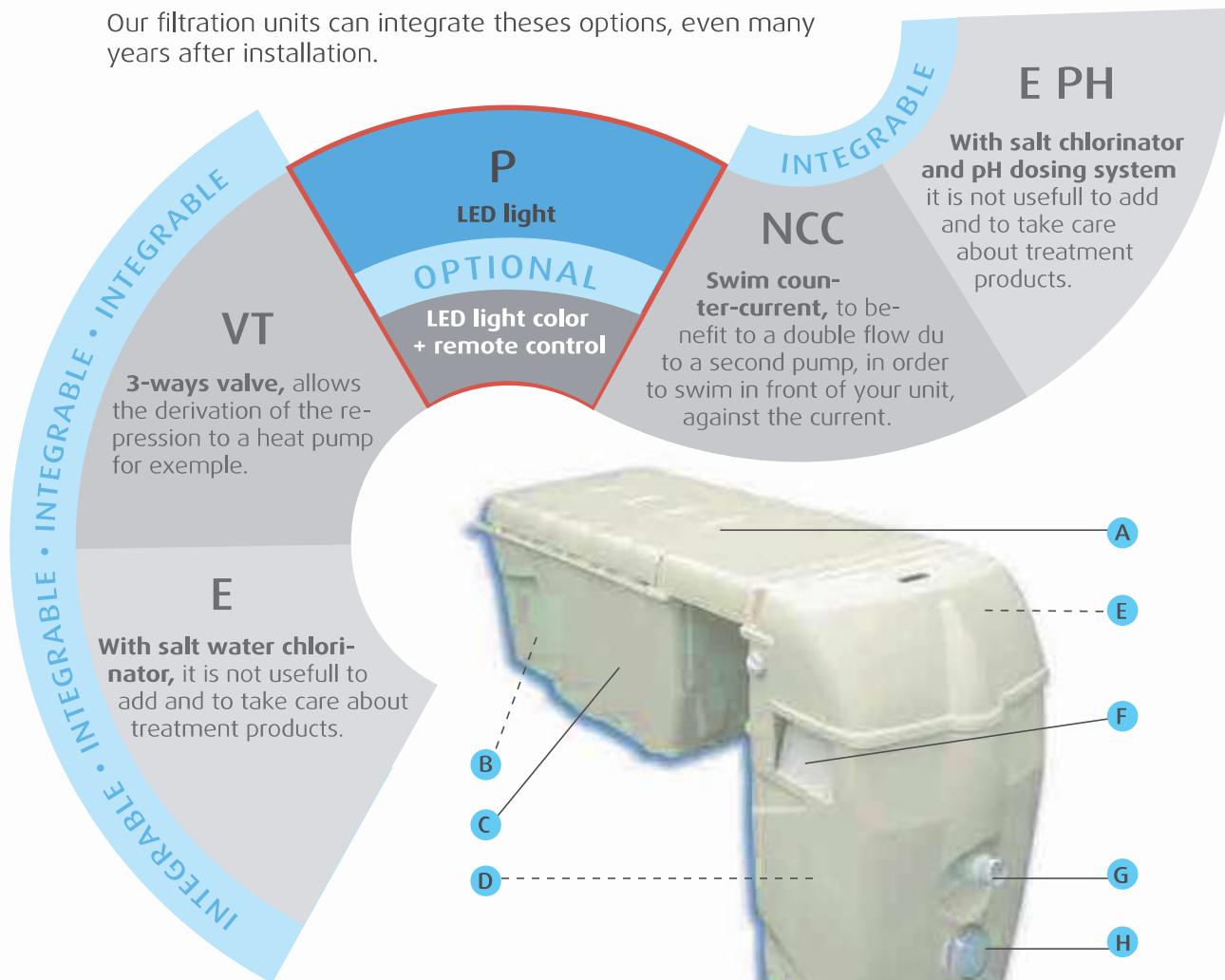
## ■ MX18

>> Pool (until 80 m<sup>3</sup> max.)

## ■ MX25

>> Pool (until 110 m<sup>3</sup>)

Our filtration units can integrate these options, even many years after installation.



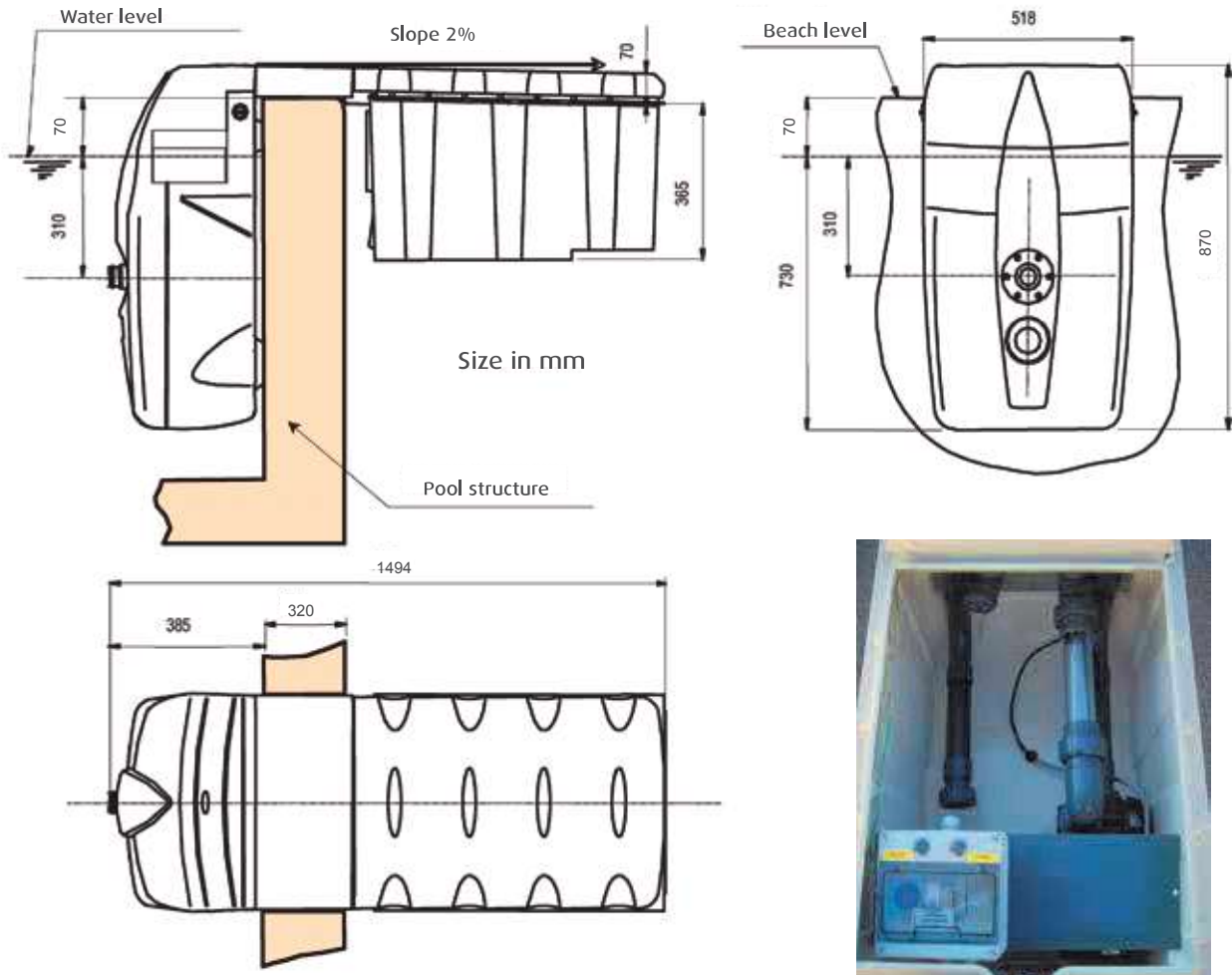
## Technical characteristics of filtration unit

	MX 18	MX 25
Filtration pump	Power returned 0,75 kW (1 ch)	Power returned 1,1 kW (1,5 ch)
Flow rate	18 m <sup>3</sup> /h	25 m <sup>3</sup> /h
Swim counter-current pump	Identical to filtration pump : power engine 0,75 kW Flow rate : 36 m <sup>3</sup> /h	Identical to filtration pump : 1,1 kW Flow rate : 50 m <sup>3</sup> /h
Filter	Two cartridge filters	
Filtration fineness	25 microns	
Filtration area	9 m <sup>2</sup>	
Lighting	LED light	
Electrolyser with salt	Reverse polarity for cleaning system. 4 g of salt/litre.	
Shell	Realization in ABS-PMMA materials (thermoformed)	

## Standard equipment

- A** Removable cover with a mechanical safety (lock)
- B** Control case for filtration (automatic or manual) and lighting
- C** Buried part containing :  
- filtration pump (12m<sup>3</sup>/h)
- D** Double filtration cartridges + basket collecting leaves
- E** Balneotherapy (Air flow rate adjustment for massage functions)
- F** Skimmers, two openings for water suction
- G** Directional heavy flow rate
- H** LED light

## Dimensional plan of MX (all the range)



## General diagramm of MX COO

